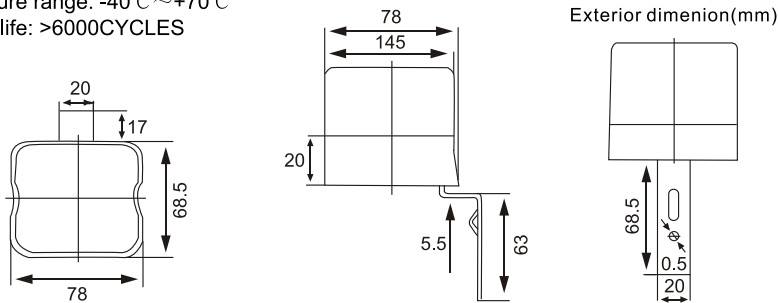


## LLAS15 Photo Controls

### LLAS15

- ⊙ Electronic Photo Control
- ⊙ Rated voltage: 120/240V~(applicable 105-250V~)
- ⊙ Rated frequency: 50/60Hz
- ⊙ Rated current: 3A, 6A, 10A 15A
- ⊙ Load: Load: 150-2000W TUNGSTEN
- ⊙ Light level: ON/OFF; 10-16LUX/20-30LUX or at customers'option
- ⊙ Acting time: <15"
- ⊙ Temperature range: -40°C~+70°C
- ⊙ Electrical life: >6000CYCLES



LLAS15

## LLAS17 Photo Controls

### LLAS17

- ⊙ Thermal photo control
- ⊙ Rated voltage: 120V/220V/~(applicable 110V,127V,230V,240V)
- ⊙ Rated frequency: 50/60Hz
- ⊙ Rated current: 10A 15A
- ⊙ Load: 1000W,1200W TUNGSTEN
- ⊙ Light level: on/off; 10-16LUX/50-80LUX
- ⊙ Acting time: 30" ~ 180"
- ⊙ Temperature range: -40°C~+70°C
- ⊙ Electrical life: >6500CYCLES



LLAS17

## LLAS18 Photo Controls

### LLAS18

- ⊙ Thermal photo control
- ⊙ Rated voltage: 120V/220V/~(applicable 110V,127V,230V,240V)
- ⊙ Rated frequency: 50/60Hz
- ⊙ Rated current: 10A 15A
- ⊙ Load: 1000W,1200W TUNGSTEN
- ⊙ Light level: on/off; 10-16LUX/50-80LUX
- ⊙ Acting time: 30" ~ 180"
- ⊙ Temperature range: -40°C~+70°C
- ⊙ Electrical life: >6500CYCLES



LLAS18